



Cimballi S20/S30

Helautomatisk espresso i verdensklasse



S20

Cimbali S20

RELIABILITY FIRST AND FOREMOST

The new S20 is a perfect tool for your daily work. Thanks to the innovative technical solutions that have always made LaCimbali machines cutting-edge products, making coffee and milk-based beverages will be simple and intuitive every day, forever.

EXPERIENCE IN HIGH-QUALITY COFFEE

A result of a combination between the technological innovation of LaCimbali machines and the espresso tradition, S20 is the ideal tool for offering a unique and unforgettable taste experience. Thanks to the preheated, completely metal group head, you can achieve outstanding results, even for single-origin and specialty coffee, with a guarantee of consistent extraction over time.

A HIGH-QUALITY BEVERAGE AND A LARGE DRINKS MENU

LaCimbali knows just how important every drink is for you and your customers. That is why the S20 is designed to guarantee a wide and varied range to satisfy every palate, always with maximum quality guaranteed.



TEKNISKE DATA S20

	S + TS	CP	CS
Dose selection keys	24 8 x 3 6 x 4 4 x 6	24 8 x 3 6 x 4 4 x 6	24 8 x 3 6 x 4 4 x 6
Hot water selections	2	2	2
Hot water wand	1	1	1
Steam wand	-	1	1
TurboSteam Cold Touch	1	-	-
MilkPS	-	1	1
Smart Boiler	✓	✓	✓
Boiler	1	1	1
Boiler capacity	2,6 L	2,6 L	2,6 L
Heat exchanger capacity	0,25 L	0,25 L	0,25 L
Coffee dosing grinders	2	2	2
Coffee bean hoppers	2	2	2
Coffee bean hopper capacity	2 x 1,2 Kg	2 x 1,2 Kg	2 x 1,2 Kg + 1 x 1,0 Kg
Solubles hopper	-	-	1
Solubles hopper capacity	-	-	1,0 kg
Solubles mixer	-	-	1
Bidirectional Wi-Fi	✓	✓	✓
USB	✓	✓	✓

DIMENSJONER S20

Dimensions L x D x H	370 x 620 x 762 mm	
Weight	71 kg	
Installed power at	220-240V~ 50Hz	3200 - 3800 w
	220V~ 60Hz	3400 w

VALGFRITT S20

Water by-pass	✓
Microfilter	✓
Direct emptying	✓

TILBEHØR S20



Cup-warmer

Bredde	290 mm
Dybde	435 mm
Maks høyde	738 mm



Fridge module 4 L

Bredde	290 mm
Dybde	435 mm
Maks høyde	738 mm



Fridge module 8 L

Bredde	290 mm
Dybde	435 mm
Maks høyde	643 mm



S30

Perfect Touch

Cimbali S30

RELIABILITY ABOVE ALL

The new S20 is a perfect tool for your daily work. Thanks to the innovative technical solutions that have always made LaCimbali machines cutting-edge products, making coffee and milk-based beverages will be simple and intuitive every day, forever.

THE MOST FLEXIBLE AND CUSTOMISABLE INTERFACE

S30 has a 10.4" touchscreen display: different ways of viewing the drinks selection, customisable images on the machine display and films and sounds to help the customer chose their drink are some of the features offered by the S30. All while being simple and intuitive.

QUALITY IN THE CUP AND A WIDE RANGE OF DRINKS

La Cimbali knows how important each drink prepared for you and your customers is. For this reason, the S30 is designed for a wide and varied range of beverages to suit every taste, always guaranteeing the best quality in the cup.



TEKNISKE DATA S30

	S + TS	CP	CP + TS	CS
Dose selection keys	24 12 x 2 8 x 3 4 x 6	24 12 x 2 8 x 3 4 x 6	24 1	24 12 x 2 8 x 3 4 x 6
Hot water selections	2	2	2	2
Hot water wand	1	1	1	1
Water by-pass	✓	✓	✓	✓
Steam wand	-	1	-	1
TurboSteam Cold Touch	1	-	1	-
MilkPS	-	1	1	1
Snowmilk	-	✓	✓	✓
Smart Boiler	✓	✓	✓	✓
PGS	✓	✓	✓	✓
Boiler	2	2	2	2
Boiler capacity	0,7 L	0,7 L	0,7 L	0,7 L
Hot water and steam boiler capacity	1,25 L	1,25 L	1,25 L	1,25 L
Coffee dosing grinders	2	2	2	2
Coffee bean hoppers	2	2	2	2
Coffee bean hopper capacity	2 x 1,2 Kg	2 x 1,2 Kg	2 x 1,2 Kg	1 x 1,2 Kg + 1 x 1,0 Kg
Solubles hopper	-	-	-	1
Solubles hopper capacity	-	-	-	1,0 kg
Solubles mixer	-	-	-	1
Bidirectional Wi-Fi	✓	✓	✓	✓
USB	✓	✓	✓	✓

DIMENSJONER S30

Dimensions L x D x H		370 x 620 x 762 mm
Weight		79 kg
Installed power at	220-240V 50Hz 220V 60Hz	4800 - 5700 / 4800 w
	380-415V3N 50Hz 380V3N 60Hz	4800 - 5700 / 4800 w
	220-240V 50Hz 220V 60Hz @16 AMP	3300 - 3800 / 3400 w

VALGFRITT S30

Motorised spout	✓
Microfilter	✓
Direct emptying	✓

TILBEHØR S30



Cup-warmer

Bredde	290 mm
Dybde	435 mm
Maks høyde	738 mm



Fridge module 4 L

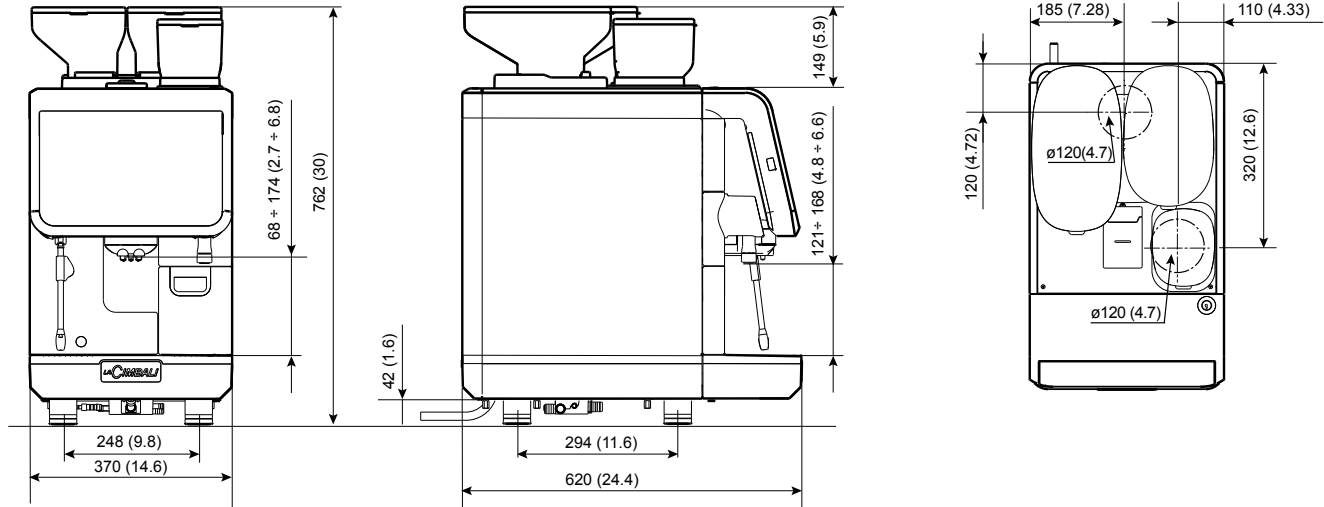
Bredde	290 mm
Dybde	435 mm
Maks høyde	738 mm



Fridge module 8 L

Bredde	290 mm
Dybde	435 mm
Maks høyde	643 mm

TEKNISKE TEGNINGER





LA CIMBALI





**Kaffehuset
Den Gyldne Bønne**

bestilling@dgb.no | dgb.no | 67 18 05 10